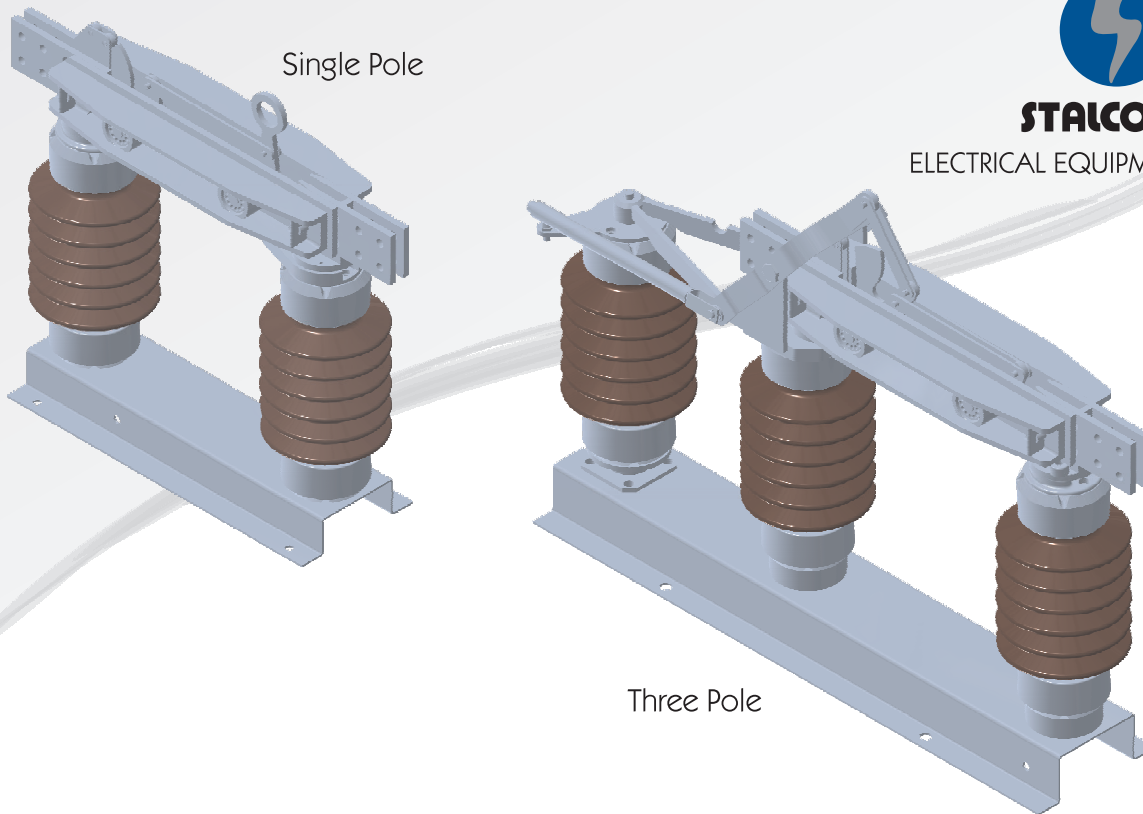


# Single Pole and Three Pole 24kV/2000A Disconnecter



**STALCO S.A.**

ELECTRICAL EQUIPMENT INDUSTRY



## APPLICATION

The 24kV outdoor vertical break, hookstick type, manually operated disconnecter is used in 20kV overhead distribution lines for isolation purposes according to IEC 62271-102 and IEC 60694 standards and are of 2000A nominal current. Usually they're installed at both sides of a the main circuit breaker in 150/20kV substations.

They are manufactured in order to withstand the harshest environmental conditions and high pollution levels. The base of the disconnecter and all non current carrying metal parts are made by formed hot dip galvanized steel. The insulators are made of high quality brown porcelain. The disconnecter's contacts, terminals and blade are made of tin plated copper. The contacts are self cleaning and always maintain constant pressure and once secured in the closed position can withstand seismic, wind and other vibrational forces without opening. The hook is made of hot dip galvanized steel. All screws, nuts and washers are made of hot dip galvanized steel to ensure long and trouble free operation.

The operation of the disconnecter is done manually using a hookstick.

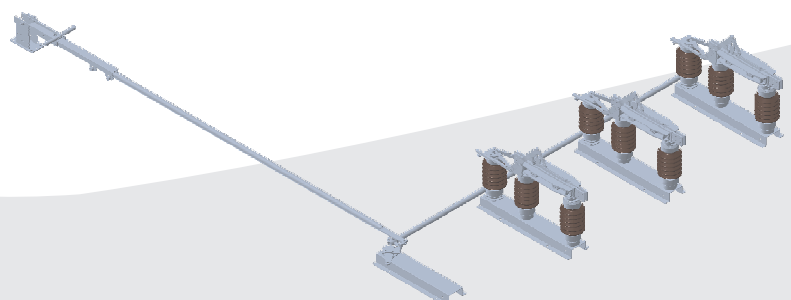
The disconnecter can be mounted vertically or with a 30° angle from the vertical on a steel structure.

We manufacture a single pole and a three pole version of this disconnecter which have identical electrical characteristics.

This type of disconnecter has been manufactured by our company for more than 20 years. Our products have been operating trouble free in the Greek power grid throughout all this time.

The disconnecters can operate under the following conditions:

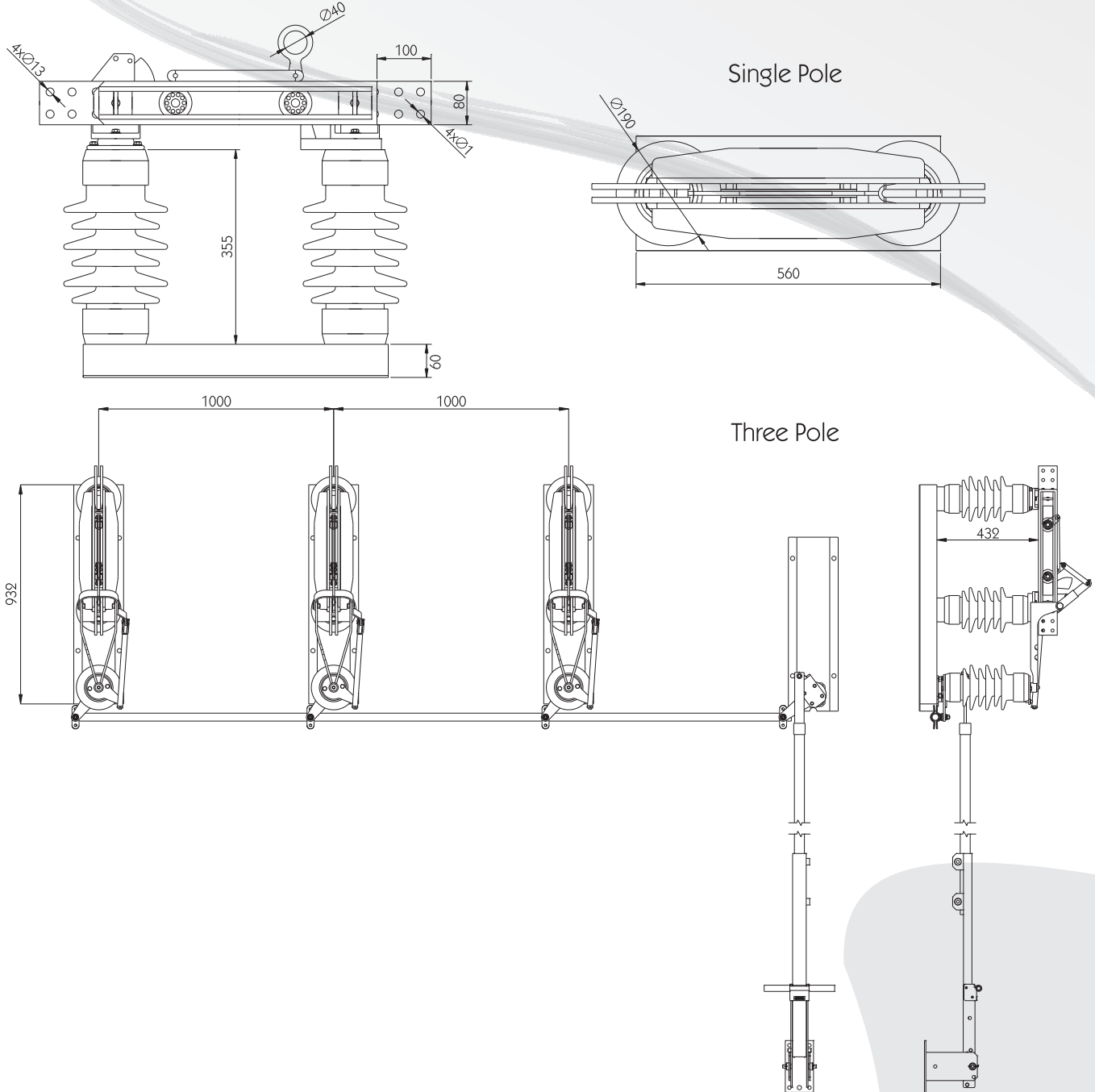
- Ambient temperature: min -25°C to max 45°C
- Altitude: Up to 1000m above sea level
- Relative humidity: less than 95%
- Ice coating: max 10mm
- Pollution level: moderate to heavy
- Wind Speed: 150km/h
- Other: Snow and fog



# Single Pole and Three Pole 24kV/2000A Disconnecter

## ELECTRICAL CHARACTERISTICS

- Nominal Voltage: 20kV
- Maximum Voltage: 24kV
- Nominal Frequency: 50Hz
- Nominal Current: 2000A
- Short Circuit Level: 52.3kA rms/ 85kA peak
- Short Circuit Duration: 4sec
- Insulation level: 24/50(60)/125(165)kV
- Mechanical endurance class: 1000 operations



**STALCO S.A.**

ELECTRICAL EQUIPMENT INDUSTRY

FACTORY: A' INDUSTRIAL AREA – VOLOS  
TEL.: +30 24210 95102  
FAX: +30 24210 95403  
e-mail: stalco@vol.forthnet.gr

ATHENS OFFICE: 1, IPPOKRATOUS STR  
151 23 MAROUSSI  
TEL.: +30 210 6824538, +30 210 6824661  
FAX: +30 210 6826256  
e-mail: office@stalco.gr