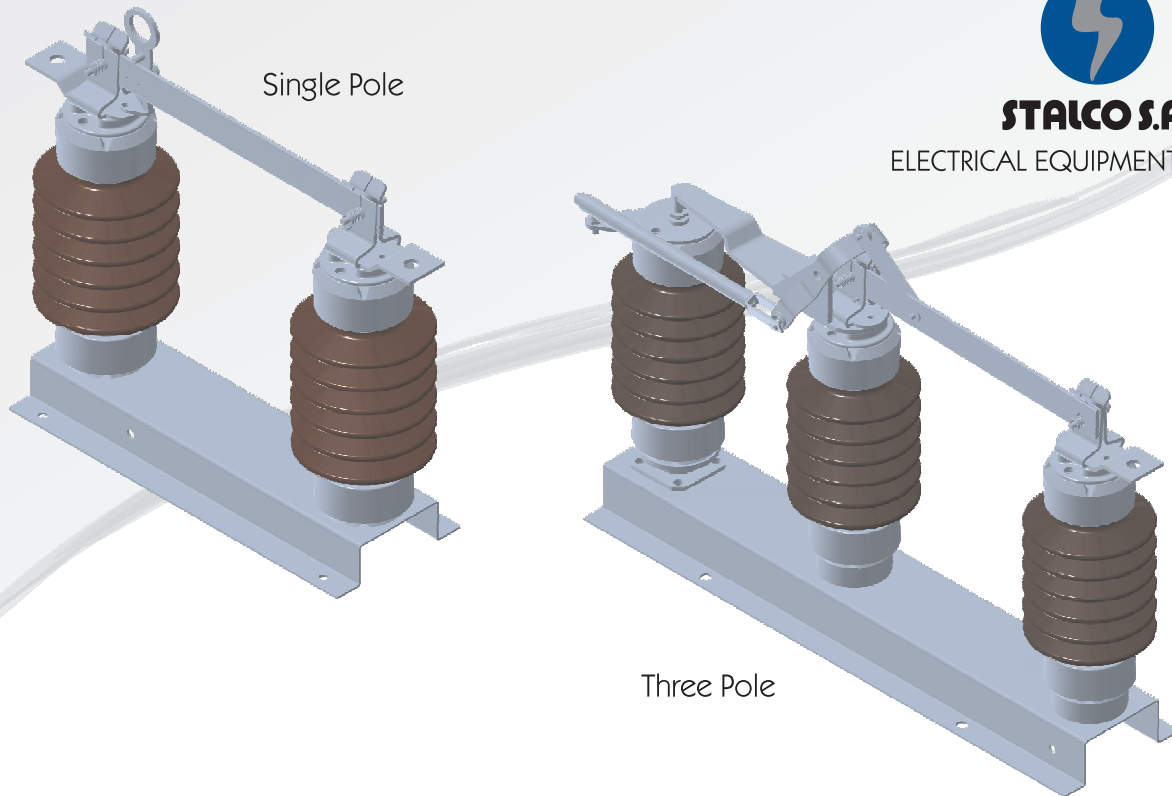


Single Pole and Three Pole 24kV/630A Disconnecter



STALCO S.A.

ELECTRICAL EQUIPMENT INDUSTRY



APPLICATION

The 24kV outdoor vertical break, hookstick type, manually operated disconnecter is used in 20kV overhead distribution lines for isolation purposes according to IEC 62271-102 and IEC 60694 standards and are of 630A nominal current. Usually they're installed at both sides of a circuit breaker in 150/20kV substations or in 20kV capacitor bays or in 20kV earthing resistors.

They are manufactured in order to withstand the harshest environmental conditions and high pollution levels. The base of the disconnecter and all non current carrying metal parts are made by formed hot dip galvanized steel. The insulators are made of high quality brown porcelain. The disconnecter's contacts, terminals and blade are made of tin plated copper. The contacts are self cleaning and always maintain constant pressure and once secured in the closed position can withstand seismic, wind and other vibrational forces without opening. The hook is made of hot dip galvanized steel. All screws, nuts and washers are made of hot dip galvanized steel to ensure long and trouble free operation. The operation of the disconnecter is done manually using a hookstick.

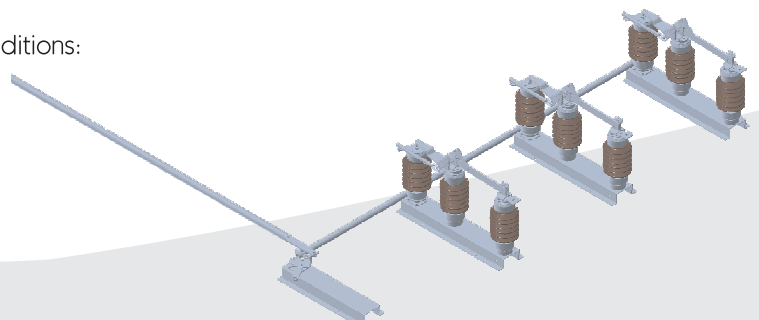
The disconnecter can be mounted vertically or with a 30° angle from the vertical on a steel structure.

We manufacture a single pole and a three pole version of this disconnecter which have identical electrical characteristics.

This type of disconnecter has been manufactured by our company for more than 20 years. Our products have been operating trouble free in the Greek power grid throughout all this time.

The disconnectors can operate under the following conditions:

- Ambient temperature: min -25°C to max 45°C
- Altitude: Up to 1000m above sea level
- Relative humidity: less than 95%
- Ice coating: max 10mm
- Pollution level: moderate to heavy
- Wind Speed: 150km/h
- Other: Snow and fog

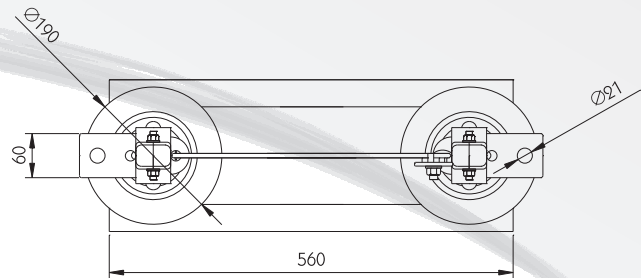
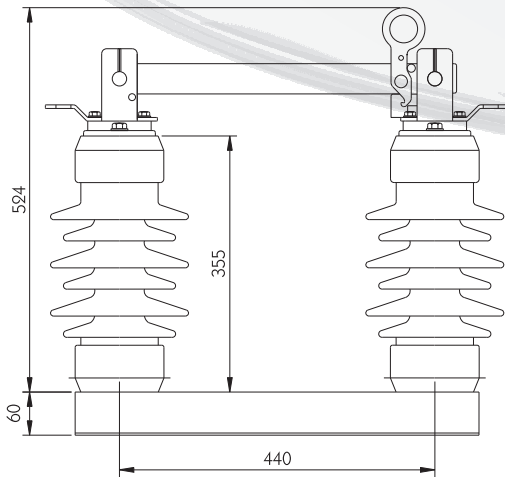


Single Pole and Three Pole 24kV/630A Disconnecter

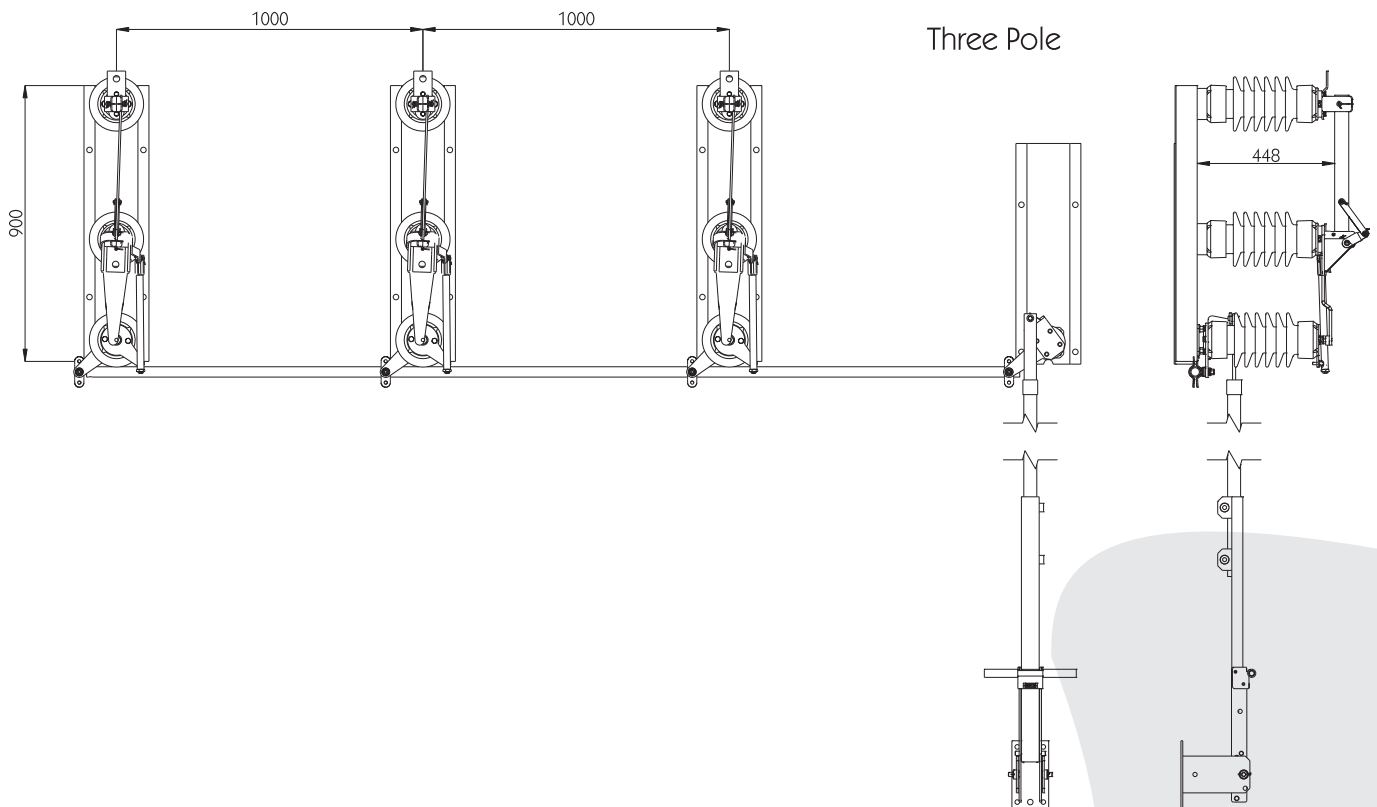
ELECTRICAL CHARACTERISTICS

- Nominal Voltage: 20kV
- Maximum Voltage: 24kV
- Nominal Frequency: 50Hz
- Nominal Current: 630A
- Short Circuit Level: 25kA rms/40kA peak
- Short Circuit Duration: 4 sec
- Insulation level: 24/50(60)/125(165)kV
- Mechanical endurance class: 1000 operations

Single Pole



Three Pole



STALCO S.A.

ELECTRICAL EQUIPMENT INDUSTRY

FACTORY: A' INDUSTRIAL AREA – VOLOS
TEL.: +30 24210 95102
FAX: +30 24210 95403
e-mail: stalco@vol.forthnet.gr

ATHENS OFFICE: 1, IPPOKRATOUS STR
151 23 MAROUSSI
TEL.: +30 210 6824538, +30 210 6824661
FAX: +30 210 6826256
e-mail: office@stalco.gr

