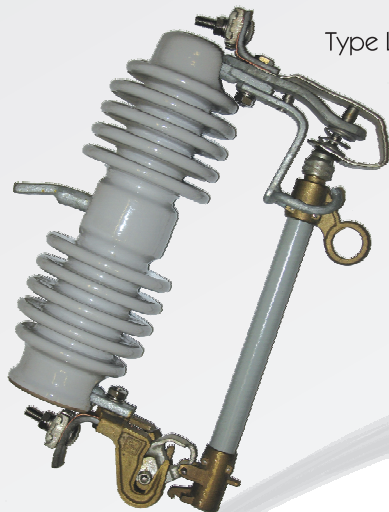


Expulsion Fuse Cutout

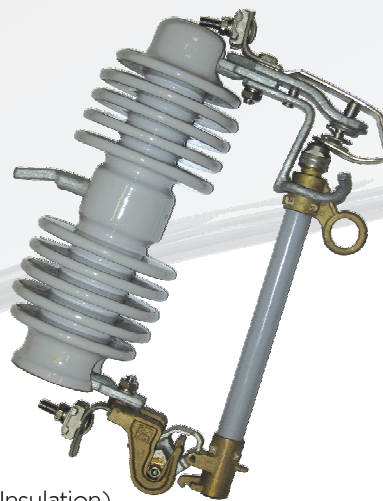


STALCO S.A.

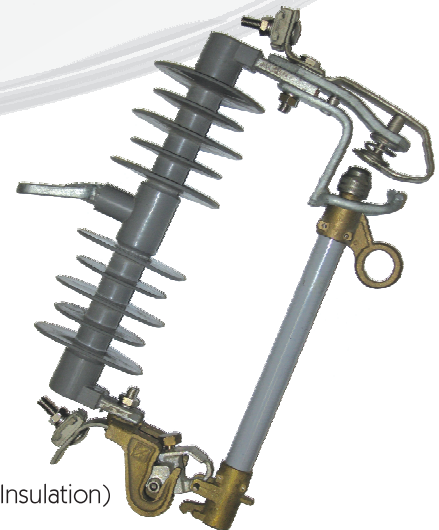
ELECTRICAL EQUIPMENT INDUSTRY



Type LN (Normal Insulation)



Type LH (Heavy Duty Insulation)



Type LSH (Heavy Duty Insulation)

APPLICATION

This single venting type cutout fuses provide full-fault-spectrum protection of 24kV overhead distribution systems rated 24kV, whether applied to overhead transformers, capacitors, cables, or lines. "Full-fault spectrum protection" means that Cutouts interrupt all faults from the lowest current that will melt the fuse link to the maximum rated interrupting current under all realistic transient-recovery-voltage conditions. Fuse Cutouts employ single venting "down and away only", a recovery important feature where exhaust must be kept out of other phases in overbuilt circuits. In highly contaminated environments, a cutout with a higher voltage rating may be used to provide extra leakage distance. Upper and lower contacts feature heavily silver-plated, spring-loaded, embossed surfaces for built-in wiping action-resulting in minimum electrical resistance.

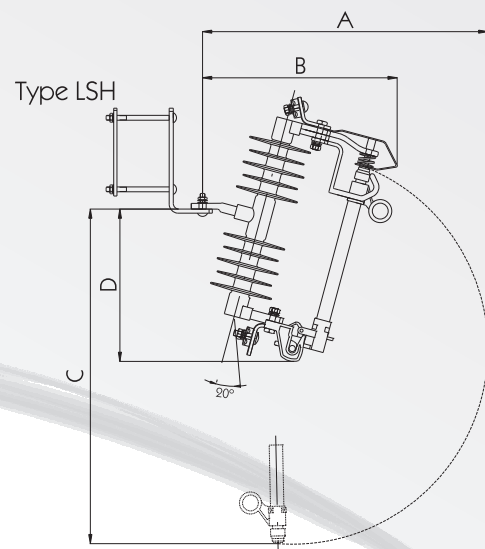
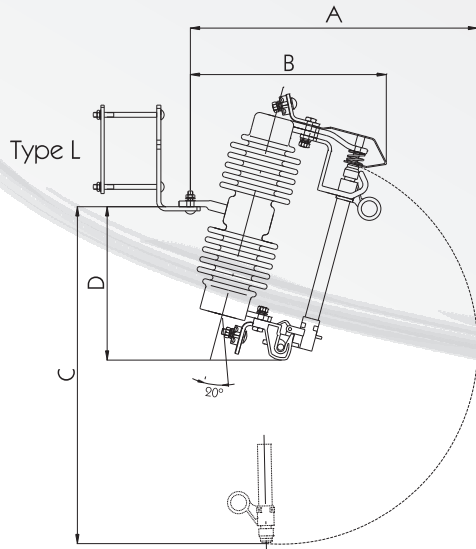
SYSTEM CHARACTERISTICS

The fuse cutouts are intended for use in three - phase distribution networks with three conductors and earthed neutral at the sending point (of the 150/20KV transformer) either directly or through a resistance limiting the maximum earth fault current to 1000A, with the following characteristics:

Nominal voltage U_N :20KV
 Maximum system voltage :24KV
 Frequency :50Hz
 Short circuit level :250MVA
 Impulse withstand voltage (Basic impulse insulation level) :125KV, 1.2/50 μ s

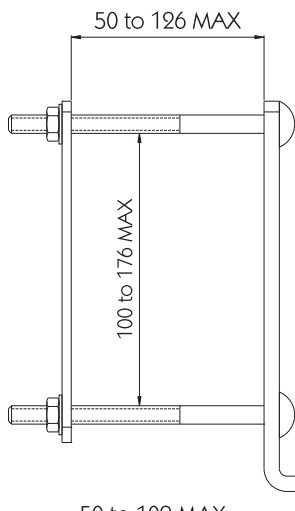
Type		LH	LN	LSH
Rated Voltage (U_r)	kV	24	24	24
Rated Current (I_n)	A	100	100	100
Interrupting Current	kA	7.2	7.2	7.2
Power Frequency withstand voltage Wet (terminal to ground)	kV	50	50	50
Power Frequency withstand voltage Wet (terminal to terminal)	kV	60	60	60
Lightning impulse withstand voltage (BIL)	kV	125	125	125
Creepage distance (min)	mm	530	400	530
Insulator material		porcelain	porcelain	HTV Silicon Rubber
Net Weight	kg	10.5	10.0	5.0

Expulsion Fuse Cutout



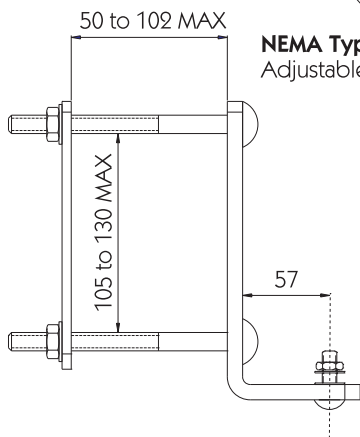
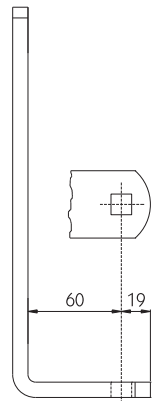
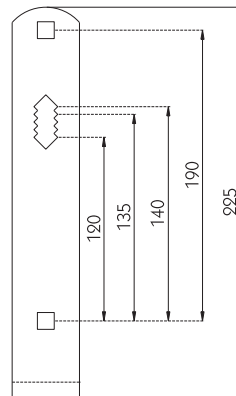
Dimensions (mm)	A	B	C	D
With type P mounting bracket	550	340	620	300

Dimensions in mm



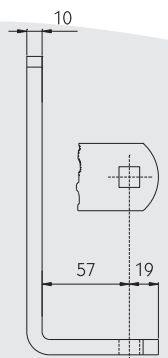
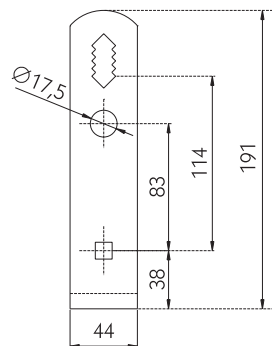
P Type Mounting Bracket

Adjustable for mounting on a cross – arm of width 50 – 126 mm and height 100 – 176 mm. The vertical distance between the axis of two bolts M12 be adjusted at : 120, 135, 140 and 190mm.



NEMA Type Mounting Bracket

Adjustable for mounting on a cross – arm of 76x102mm to 102x127mm.



STALCO S.A.

ELECTRICAL EQUIPMENT INDUSTRY

FACTORY: A' INDUSTRIAL AREA – VOLOS
 TEL.: +30 24210 95102
 FAX: +30 24210 95403
 e-mail: stalco@vol.forthnet.gr

ATHENS OFFICE: 1, IPPOKRATOUS STR
 151 23 MAROUSSI
 TEL.: +30 210 6824538, +30 210 6824661
 FAX: +30 210 6826256
 e-mail: office@stalco.gr

