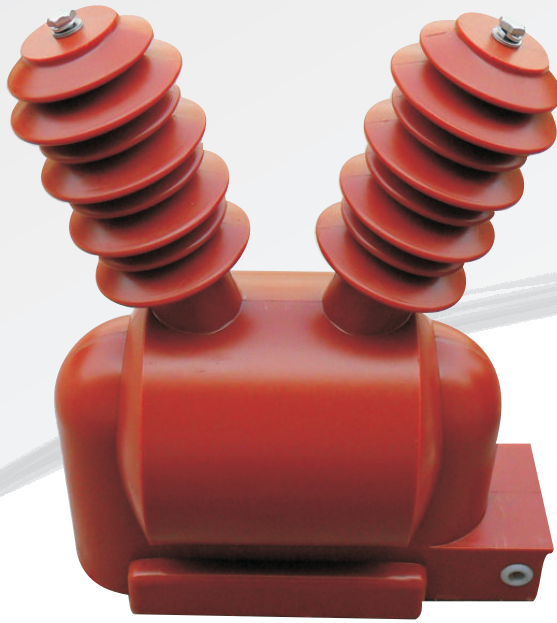


TPD3 MV Voltage Transformer



STALCO S.A.

ELECTRICAL EQUIPMENT INDUSTRY



GENERAL

The TPD3 cast resin outdoor voltage transformer is suitable for measuring 20kV or 20/15kV medium voltage in a 50Hz system according to IEC 60044-2.

PRODUCT DESCRIPTION

The Transformers can operate and be stored in temperatures between -25°C and 40°C and average annual humidity more than 75% in an altitude below 1000m from sea level.

The high quality resin used for this product is manufactured by Huntsman Advanced Materials and has been designed especially for medium and high voltage applications. It has superb resistance to arc, UV light, ozone, moisture and excellent electrical and mechanical characteristics and reliability. The resin filler used has been treated with silane products to improve the insulation under severe weather conditions. All exposed copper parts are tin plated and steel parts are galvanized for improved weathering endurance. The secondary terminal box is fully rain and moisture proof. The design ensures that moisture due to condensation drains from the terminal box.

The creepage distance of the product is 744mm (Pollution Level IV-Very Heavy).

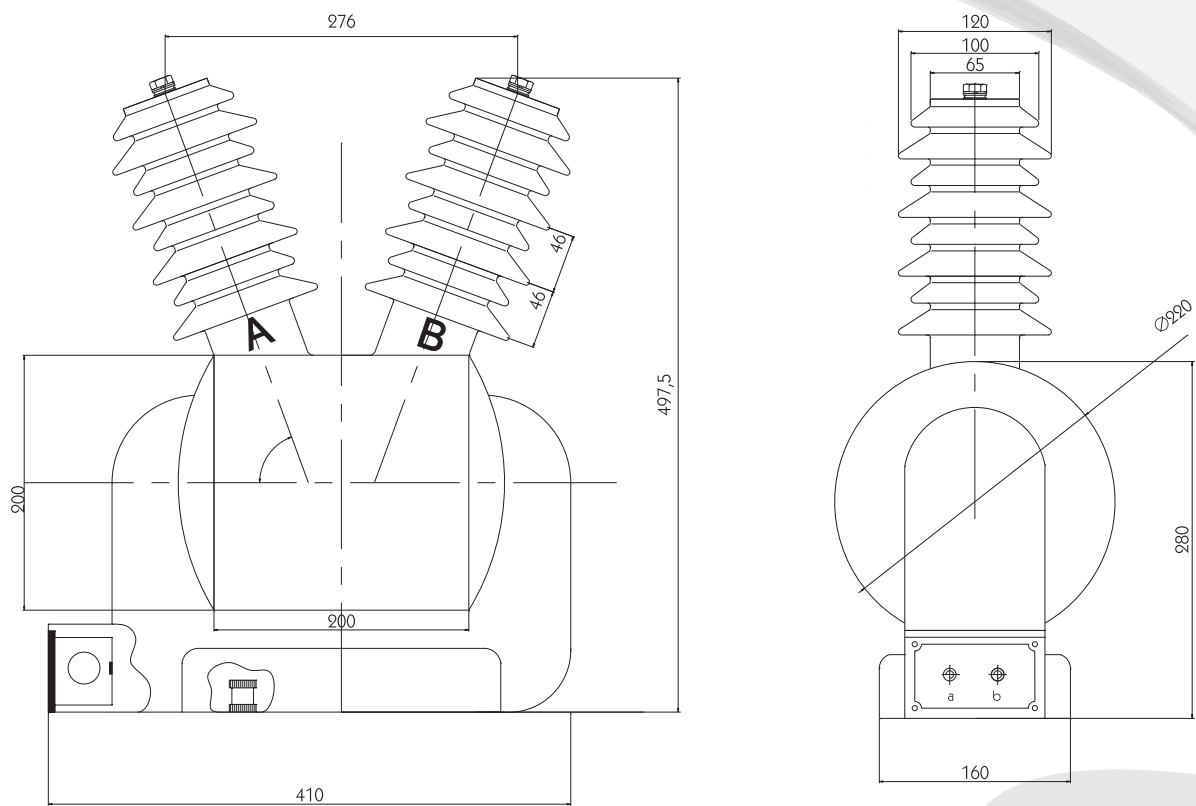
The accuracy class is 0.5.

They are capable of operating with a voltage that exceeds the nominal voltage by 20%.

Type	Primacy Voltage (kV)	Secondary Voltage (V)	Accuracy class	Highest Voltage on system (kV)	Insulation Level	Rated output
TPD3	20 or 20/15	100	0.5	24	24/50/125kV	10VA

*The transformers can come equipped with any requested ratio and additional metering or protection windings with specific ratios and ratings.

TPD3 MV Voltage Transformer



STALCO S.A.

ELECTRICAL EQUIPMENT INDUSTRY

FACTORY: A' INDUSTRIAL AREA – VOLOS
TEL.: +30 24210 95102
FAX: +30 24210 95403
e-mail: stalco@vol.forthnet.gr

ATHENS OFFICE: 1, IPPOKRATOUS STR
151 23 MAROUSSI
TEL.: +30 210 6824538, +30 210 6824661
FAX: +30 210 6826256
e-mail: office@stalco.gr

